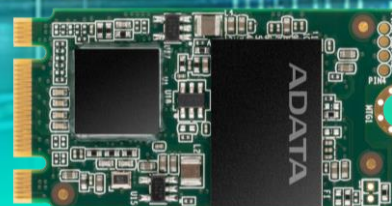


# M.2 2280 SSD

## IM2S3164



The ADATA IM2S3164 M.2 2280 SSD is equipped with 96-layer 3D TLC (BiCS4) NAND flash for excellent read/write performance and high capacities. Its 3K P/E cycle rating ensures long-lasting durability. What's more, with LDPC ECC error correction and RAID Engine, the IM2S3164 ensures data accuracy and integrity. The SSD comes in a range of capacities for different requirements. Customers can also benefit from ADATA's proprietary A+ SSSDTool software for easy management and real-time monitoring of ADATA SSDs. The IM2S3164 is ideal for automation, embedded system, networking, surveillance and transportation applications.

### Features

- 96-layer 3D TLC (BiCS4) NAND flash for higher capacities, efficiency, and durability
- 3K P/E cycle rating for excellent durability and reliability
- LDPC ECC (error correction) technology
- Supports RAID Engine and SLC Cache
- AES 256-bit Data Encryption
- Thermal Throttling automatically adjusts temperatures for prolonged product lifespan
- Suitable for automation, embedded system, networking, surveillance and transportation applications

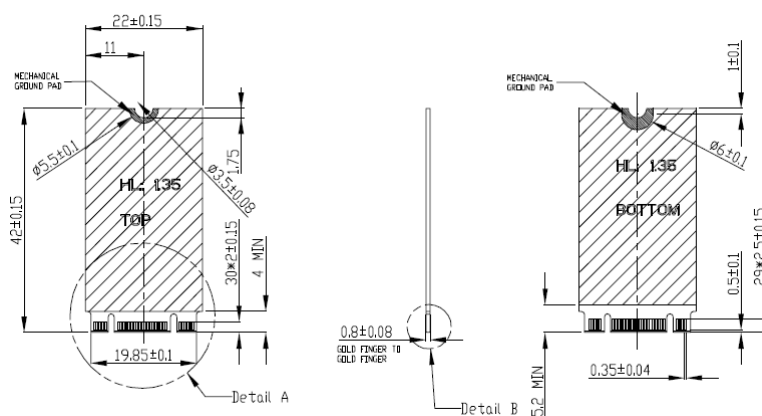
### Ordering Information

Operating Temp.	64GB	128GB	256GB	512GB
0°C to 70°C	IM2S3164-064GCTB4	IM2S3164-128GCTB4	IM2S3164-256GCTB4	IM2S3164-512GCTB4

**Specifications**

Model	IM2S3164
Form Factor	M.2 2242
Capacity	64GB – 512GB
Interface	SATA III
Flash Type	96L 3D TLC
Dimensions (L x W x H)	42 x 22 x 3.6mm
Sequential Read (Max.)	550MB/s
Sequential Write (Max.)	480MB/s
Operating Temperature (Standard)	0°C to 70°C
Operating Temperature (Industrial)	-
Operating Voltage	3.3V
Power Consumption (Max.)	1.25W
Shock Resistance	1500G/0.5ms, Half Sine Wave
Operating Humidity	5%-95% RH, non-condensing
Vibration Resistance	20G (20-2000Hz)
Technologies	LDPC ECC, RAID Engine, Wear Leveling, SLC Cache, TRIM and NCQ command, Thermal Throttling, S.M.A.R.T. Monitor, AES 256-bit Data Encryption

**Diagram**



Unit: mm

**Contact Us**

**HQ (Taiwan):**

T: +886-8228-0886  
E: [IA\\_Global@adata.com](mailto:IA_Global@adata.com)

**US:**

T: +1-714-332-8708  
E: [IASales\\_us@adata.com](mailto:IASales_us@adata.com)

**EU:**

T: +49-899-0405-296  
E: [IASales\\_eu@adata.com](mailto:IASales_eu@adata.com)

**China**

T: +86-21-6233-1010  
E: [IASales\\_cn@adata.com](mailto:IASales_cn@adata.com)

**JP:**

T: +81-3-5807-0011  
E: [IASales\\_jp@adata.com](mailto:IASales_jp@adata.com)

**APAC/MEA:**

E: [IASales\\_apacmea@adata.com](mailto:IASales_apacmea@adata.com)