

2.5" SSD

ISSS31AP



ADATA ISSS31AP solid state drives utilize 96-layer 3D NAND Flash, which feature high capacity of 4TB, built-in SLC cache, DRAM cache buffer. What's more, they come with PLP (Power Loss Protection) to guard against data loss during power failures and polymer capacitors to prevent short circuiting. With support for LDPC (Low-Density Parity-Check) error correction code technology, ISSS31AP SSDs can detect and fix errors to ensure data integrity and thus enjoy extended lifespans. These SSDs are purpose-made for 5G, IoT, industrial, automation, transportation, and healthcare related applications. To ensure utmost quality, compatibility, and reliability, all ISSS31AP SSDs have undergone ADATA's SSD validation process, covering functionality testing and reliability validation.

Features

- Power Loss Protection (PLP)
- Tantalum polymer capacitors with short circuit protection mechanism
- 96-layer 3D NAND Flash for higher capacity, durability and power efficiency
- Large capacity of 4TB
- 3K P/E Cycles – improved endurance and reliability
- Low power consumption: 2.8W
- Supports SLC Cache and DRAM Buffer
- Ideal for 5G networking, IPC, automation, transportation, healthcare and surveillance

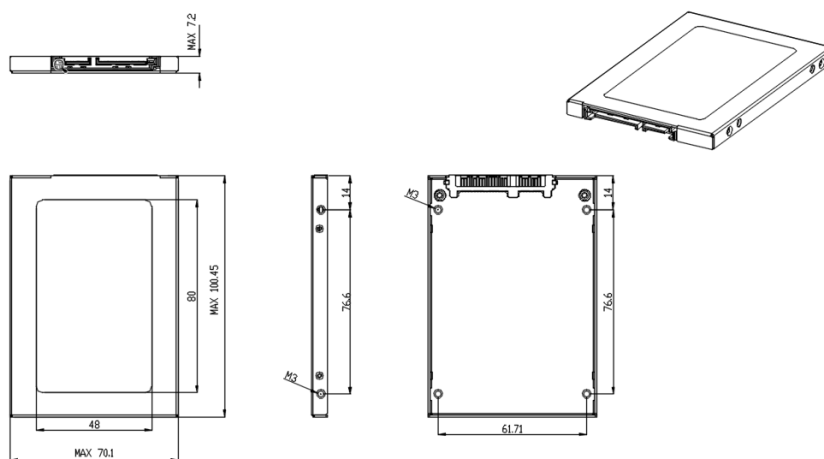
Ordering Information

Operating Temp.	4TB
0°C to 70°C	ISSS31AP-004TCTB4

Specifications

Model	ISSS31AP
Form Factor	2.5"
Capacity	4TB
Interface	SATA III
Flash Type	96-layer 3D TLC
Dimensions (L x W x H)	100 x 70 x 7mm
Sequential Read (Max.)	550MB/s
Sequential Write (Max.)	520MB/s
Operating Temperature (Standard)	0°C to 70°C
Operating Temperature (Industrial)	-
Operating Voltage	5V
Power Consumption (Max.)	2.8W
Shock Resistance	1500G/0.5ms
Operating Humidity	5%-95 RH, non-condensing
Vibration Resistance	20G (20-2000Hz)
Technologies	PLP (Power Loss Protection), S.M.A.R.T., Thermal Throttling, LDPC ECC, SLC Cache, DRAM Buffer, RAID Engine, NCQ and TRIM Command, Wear Leveling

Diagram



Unit: mm

Contact Us

HQ (Taiwan):

T: +886-8228-0886

E: IA_Global@adata.com

US:

T: +1-714-332-8708

E: IASales_us@adata.com

EU:

T: +49-899-0405-296

E: IASales_eu@adata.com

China

T: +86-21-6233-1010

E: IASales_cn@adata.com

JP:

T: +81-3-5807-0011

E: IASales_jp@adata.com

APAC/MEA:

E: IASales_apacmea@adata.com