

## 2.5" SSD

### ISSS332



The ISSS332 industrial-grade SSD is equipped with MLC NAND flash to provide a 3K P/E cycle rating for long-lasting durability. The ISSS332's level of energy efficiency, reliability, safety, and performance meet the strict requirements of industrial applications. Other valuable features include DRAM Buffer for improved IOPS and read and write, and ECC error correction technology for data accuracy and integrity. The ISSS332 has high compatibility and is suitable for industrial PCs, embedded devices, automation, networking, and transportation applications.

### Features

- MLC NAND flash for great endurance
- 3K P/E cycle rating for excellent durability and reliability
- Wide temperature support: -40°C to 85°C
- DRAM Buffer included
- BCH ECC error correction
- Supports S.M.A.R.T. Monitor, TRIM and NCQ Command
- Suitable for industrial PCs, embedded devices, automation, networking, and transportation

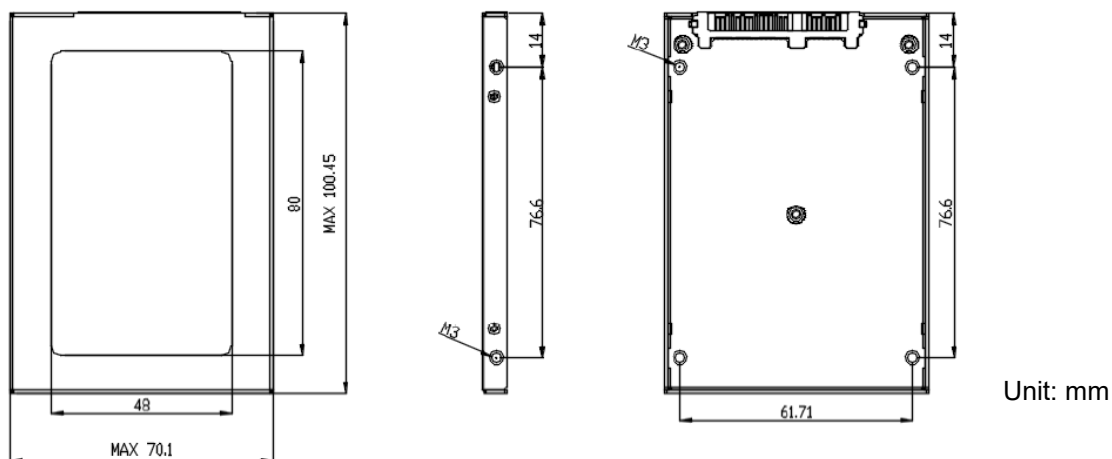
### Ordering Information

Operating Temp.	16GB	32GB	64GB	128GB	256GB	512GB	1TB
0°C to 70°C	ISSS332-016GM	ISSS332-032GM	ISSS332-064GM	ISSS332-128GM	ISSS332-256GM	ISSS332-512GM	ISSS332-001TM
-40°C to 85°C	ISSS332-016GT	ISSS332-032GT	ISSS332-064GT	ISSS332-128GT	ISSS332-256GT	ISSS332-512GT	ISSS332-001TT

## Specifications

Model	ISS332
Capacity	16GB – 1TB
Interface	SATA III
Flash Type	MLC
Dimensions (L x W x H)	100 x 70 x 7mm
Sequential Read (Max.)	540MB/s
Sequential Write (Max.)	450MB/s
Operating Temperature (Standard)	0°C to 70°C
Operating Temperature (Industrial)	-40°C to 85°C
Operating Voltage	5V
Power Consumption (Max.)	3.2W
Shock Resistance	1500G/0.5ms
Operating Humidity	5%-95 RH, non-condensing
Vibration Resistance	20G (20-2000Hz)
Technologies	BCH ECC, Wear Leveling, DRAM Buffer TRIM and NCQ command, S.M.A.R.T. Monitor,

## Diagram



## Contact Us

### HQ (Taiwan):

T: +886-8228-0886

E: [adata@adata.com](mailto:adata@adata.com)

### US:

T: +1-714-332-8708

E: [IASales\\_us@adata.com](mailto:IASales_us@adata.com)

### EU:

T: +49-899-0405-296

E: [IASales\\_eu@adata.com](mailto:IASales_eu@adata.com)

### China

T: +86-21-6233-1010

E: [IASales\\_cn@adata.com](mailto:IASales_cn@adata.com)

### JP:

T: +81-3-5807-0011

E: [IASales\\_jp@adata.com](mailto:IASales_jp@adata.com)

### APAC/MEA:

E: [IASales\\_apacmea@adata.com](mailto:IASales_apacmea@adata.com)