

2.5" SSD

ISSS333 PLP Edition



The ISSS333 PLP (Power Loss Protection) industrial-grade 2.5" solid state drives implement 64-layer 3D TLC (BiCS3) NAND flash to provide high capacities and power efficiency. What's more, with PLP (Power Loss Protection) these SSDs guard against data loss when a sudden power failure occurs, and also uses tantalum polymer capacitors with short circuit protection mechanism. Other valuable features include DRAM Buffer for improved IOPS and read and write, and LDPC ECC error correction and RAID Engine for data accuracy and integrity. The ISSS333 PLP has high compatibility and is suitable for industrial PCs, embedded devices, automation, networking, surveillance and transportation applications.

Features

- Power Loss Protection (PLP)
- Tantalum Polymer capacitors with short circuit protection mechanism
- 3K P/E cycle rating for improved durability and reliability
- Wide temperature support: -40°C to 85°C
- LDPC ECC (error correction), RAID Engine, and DRAM Buffer
- Thermal Throttling automatically adjusts temperatures for prolonged product lifespan
- Suitable for industrial PCs, embedded devices, automation, networking, surveillance, and transportation

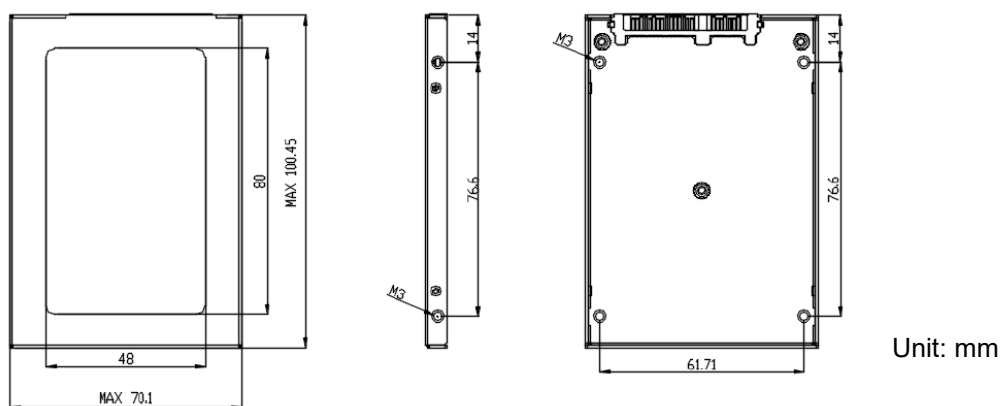
Ordering Information

Operating Temp.	64GB	128GB	256GB	512GB	1TB	2TB
0°C to 70°C	ISSS333-064GDP	ISSS333-128GDP	ISSS333-256GDP	ISSS333-512GDP	ISSS333-001TDP	ISSS333-002TDP
-40°C to 85°C	ISSS333-064GPP	ISSS333-128GPP	ISSS333-256GPP	ISSS333-512GPP	ISSS333-001TPP	ISSS333-002TPP

Specifications

Model	ISS333 PLP
Capacity	64GB – 2TB
Interface	SATA III
Flash Type	64L 3D TLC
Dimensions (L x W x H)	100 x 70 x 7mm
Sequential Read (Max.)	560MB/s
Sequential Write (Max.)	520MB/s
Operating Temperature (Standard)	0°C to 70°C
Operating Temperature (Industrial)	-40°C to 85°C
Operating Voltage	5V
Power Consumption (Max.)	2.3W
Shock Resistance	1500G/0.5ms
Operating Humidity	5%-95 RH, non-condensing
Vibration Resistance	20G (20-2000Hz)
Technologies	LDPC ECC, RAID Engine, Wear Leveling, SLC Cache, DRAM Buffer, TRIM and NCQ command, Thermal Throttling, S.M.A.R.T. Monitor, Power Loss Protection

Diagram



Contact Us

HQ (Taiwan):

T: +886-8228-0886

E: adata@adata.com

US:

T: +1-714-332-8708

E: IASales_us@adata.com

EU:

T: +49-899-0405-296

E: IASales_eu@adata.com

China

T: +86-21-6233-1010

E: IASales_cn@adata.com

JP:

T: +81-3-5807-0011

E: IASales_jp@adata.com

APAC/MEA:

E: IASales_apacmea@adata.com